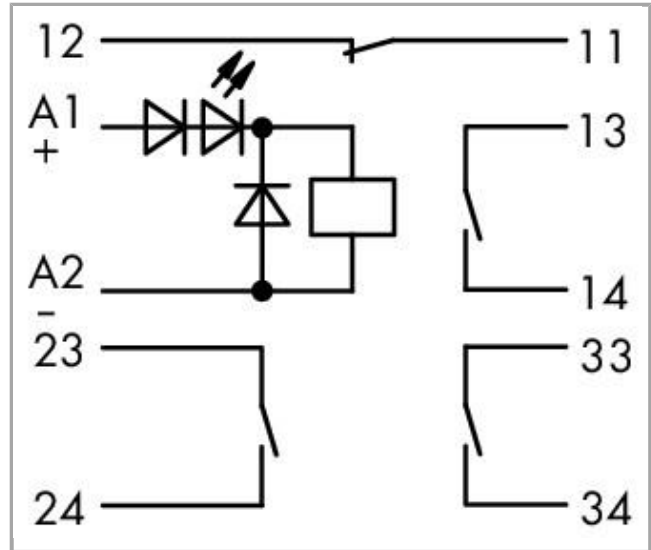


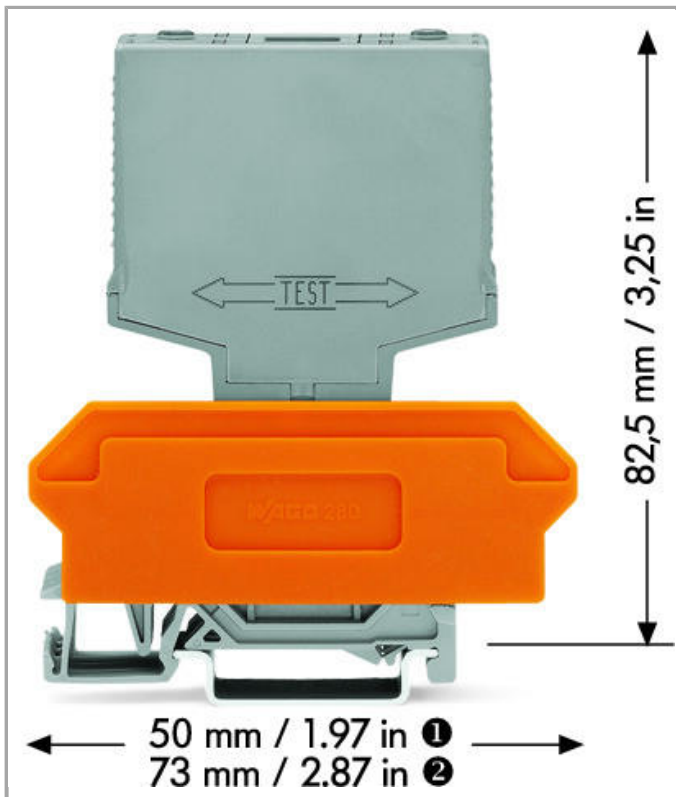
Data sheet | Item number: 286-344/004-000

Relay module; Nominal input voltage: 24 VDC; 3 break contacts and 1 make contact; Path; Red status indicator; Module width: 25 mm



286-344/004-000





Data

Technical Data

Control circuit

Nominal input voltage U_N	DC 24 V
Input voltage range	-30 ... +25 %
Nominal input current at U_N	8.5 mA

Load circuit:

Number of break contacts/switch off contacts	1
Number of make contacts/switch on contacts	3
Contact material (relay)	AgNi + Au
Limiting continuous current	5 A
Max. switching voltage	AC 250 V
Pull-in time (typ.)	9 ms
Drop-out time (typ.)	5 ms
Bounce time (typ.)	2 ms

Safety and protection:

Rated voltage	250 V
---------------	-------

Rated impulse voltage	4 kV
Pollution degree	2
Dielectric strength, control/load circuit (AC, 1 min)	1.5 kVrms
Protection class	IP20

Geometrical Data

Width	25 mm / 0.984 inch
Height from upper-edge of DIN-35 rail	82.5 mm / 3.248 inch
Depth	52 mm / 1.654 inch

Mechanical data

Type of mounting	Pluggable module for carrier terminal blocks
------------------	--

Material Data

Color	gray
Fire load	0 MJ
Weight	40.4 g

Environmental Requirements

Pollution degree	2
Surrounding air (operating) temperature at U_N	-25 ... 70 °C
Surrounding air (storage) temperature	-25 ... 70 °C

Standards and specifications

Standards/specifications	EN 60664-1
--------------------------	------------

Commercial data

Product Group	6 (Interface Electronics)
Country of origin	DE
GTIN	4055143104753
Customs Tariff No.	85364900990

Compatible products

Marking accessories



Item no.: 209-701	209-701
WSB marking card; as card; not stretchable; plain; snap-on type	



Item no.: 209-701/000-002	209-701
WSB marking card; as card; not stretchable; plain; snap-on type	/000-002



	Item no.: 209-701/000-005 WSB marking card; as card; not stretchable; plain; snap-on type	/000-005	209-701
	Item no.: 209-701/000-006 WSB marking card; as card; not stretchable; plain; snap-on type	/000-006	209-701
	Item no.: 209-701/000-007 WSB marking card; as card; not stretchable; plain; snap-on type	/000-007	209-701
	Item no.: 209-701/000-012 WSB marking card; as card; not stretchable; plain; snap-on type	/000-012	209-701
	Item no.: 209-701/000-017 WSB marking card; as card; not stretchable; plain; snap-on type	/000-017	209-701
	Item no.: 209-701/000-023 WSB marking card; as card; not stretchable; plain; snap-on type	/000-023	209-701
	Item no.: 209-701/000-024 WSB marking card; as card; not stretchable; plain; snap-on type	/000-024	209-701

Downloads

Documentation

Bid Text

286-344/004-000 Relaisbaustein	Jan 22, 2016	doc 27.6 kB	Download
-----------------------------------	--------------	----------------	----------

Additional Information

Disposal; Electrical and electronic equipment, Packaging	V 1.0.0	pdf 265.8 kB	Download
--	---------	-----------------	----------

Subject to changes.